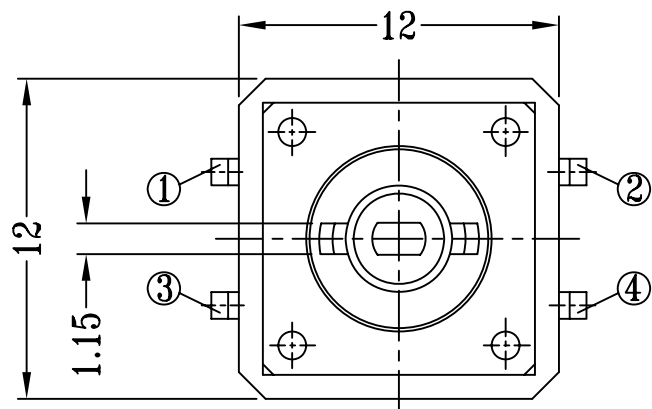
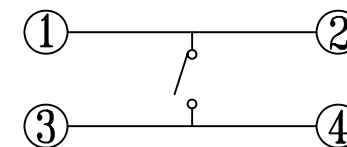


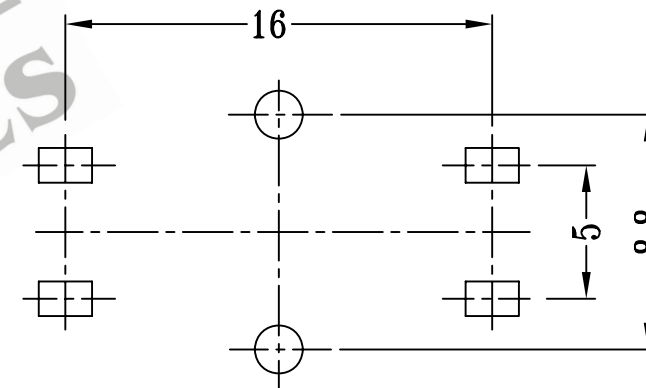
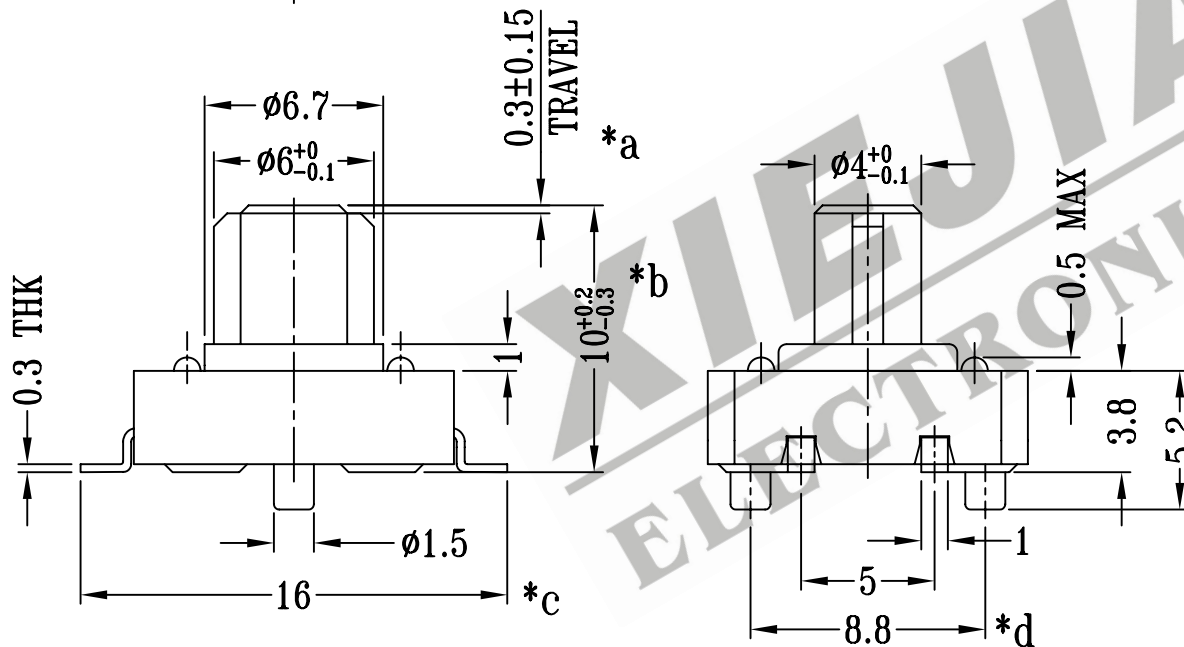
CAD FILE:



OPERATING FORCE	CODE
160gf	X
250gf	Z



SCHEMATIC



P.C.B LAYOUT

注:带"*"表示关键尺寸(4个)

NO.	PARTS	MATERIALS	Q'TY	FINISH	TOLERANCE UNLESS SPECIFIED	SHENZHEN XIEJIA ELECTRONICS CO.,LTD.				
8					WITHIN: 1.5±0.1mm	ISSUE	DATE	DESCRIPTIONS OF REVISION		APPD.
7				OVER: 1.5±0.2mm						
6					TITLE : TACT SWITCH		UNIT : mm	DRWG NO.: XJ-DR-TD12EB-00		
5					MODEL: TD-12EB		SCALE: 3:1	DWN.	ZHOUYU	2003-2-2
4	COVER	PET	1	CLEAR	ALL MATERIALS MUST BE COMPLIANT TO ROHS			CHK'D	FANGYING	2003-2-2
3	KNOB	POM	1	BLACK				APPD.	KANGXINAN	2003-2-2
2	CONTACT	PBS	1	Ag CLAD						
1	CASE	NYLON/BRASS STRIP	1	BLACK/Ag PLATED						